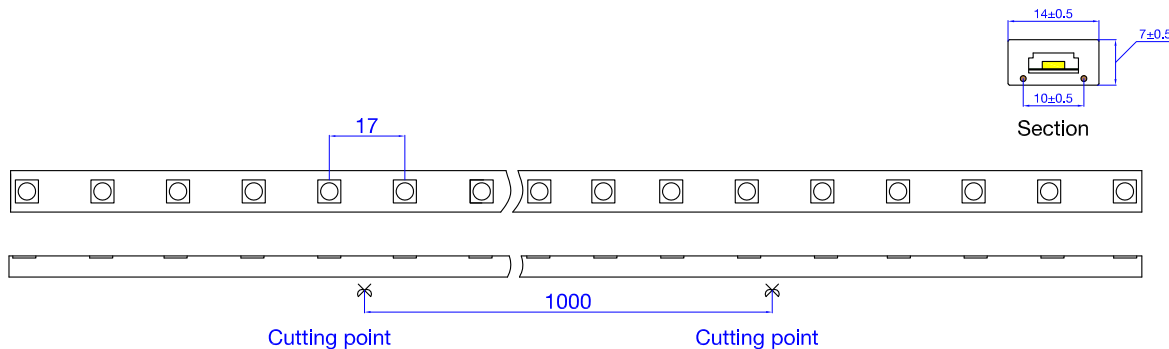
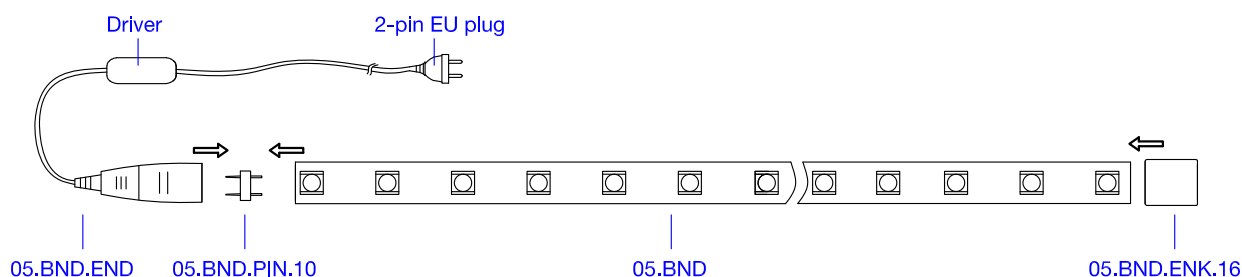


Dimensions



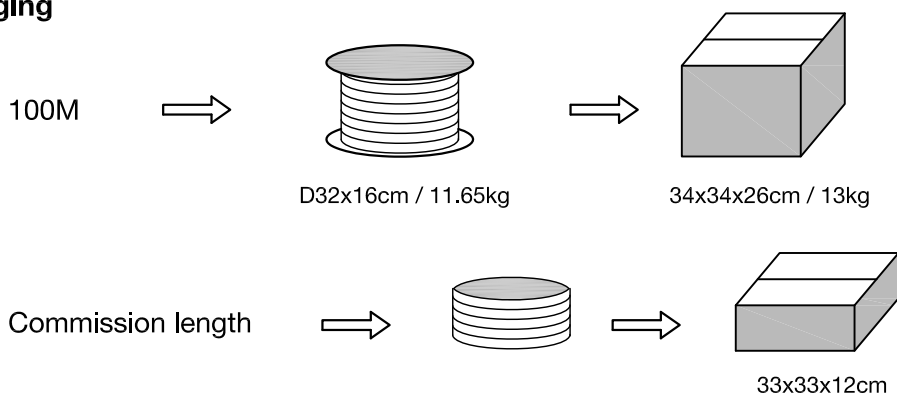
Commission Length



Technical features

Model No.	Diodes/m	Section Cut	Max. Length	Material Coating	Cable Type
05.BND	60	1m	100m	PVC Flame retardant	H03VVH ₂ -F 2 x 0.75mm ² H05VVH ₂ -F 2 x 1.00mm ²
Input Voltage	Max. Current	Power/m	Lumens	Ambient Temperature	IP Rating
230VAC±10%, 50/60Hz	2.5A	8W	500lm	-15°C to +45°C	IP65
Lifetime	Light Colour	LED Model	Beam Angle	Weight (without cable)	Dimensions
50,000 hours	5700 to 6500K	SMD5050	120°	110g/m	14 x 7mm

Packaging



Do not bend sharply



Do not power up when coiled due to danger of overheating